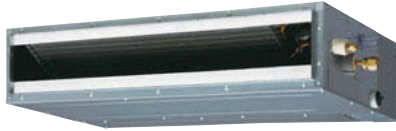


Slim Duct

Model : ARYG12LLTB / ARYG14LLTB / ARYG18LLTB



ARYG12/14LLTB



ARYG18LLTB



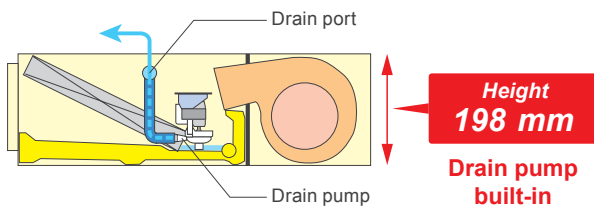
Wired R.C.



Features

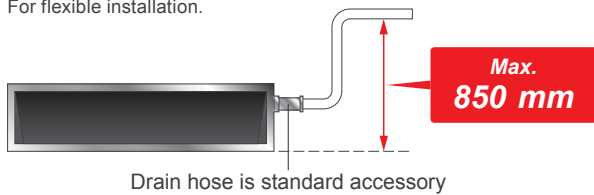
Slim design

The slim design allows installations where ceilings are narrow.



Drain hose as standard accessory

For flexible installation.



Selectable with a wide range of static pressure

By using the DC fan motor, it is possible to change the static pressure range from 0 to 90 Pa.

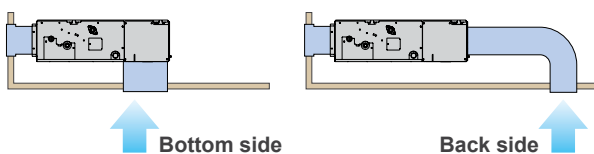
The change of static pressure range is possible by remote controller.



Static pressure range 0 to 90 Pa

Air-intake

Air intake direction can be selected to match the installation site.



Flexible installation

Ceiling concealed



Floor concealed



Auto Louver Grille Kit (Option)

Simple flat Auto Louver will provide comfort airflow and harmonize with luxury interior.

Auto Louver Grille

Duct type

4 steps selectable and auto swing



Optional parts

| | |
|---------------------------|---|
| Wired Remote Controller: | UTY-RNNYM, UTY-RVNYM |
| Simple Remote Controller: | UTY-RSNYM |
| IR Receiver Kit: | UTY-LRHYM |
| Remote Sensor Unit: | UTY-XSZX |
| Auto Louver Grille Kit: | UTD-GXSA-W (For ARYG12 / 14LLTB) UTD-GXSB-W (For ARYG18LLTB) |

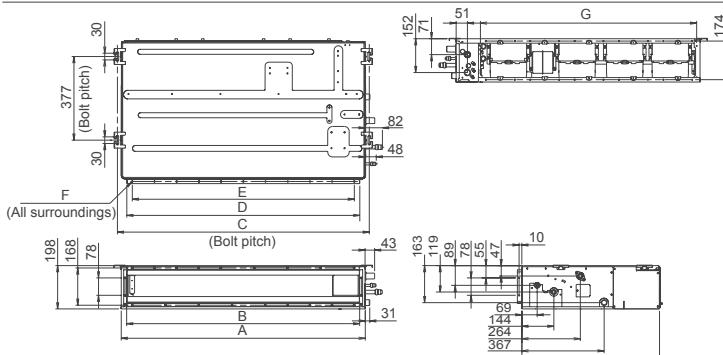


Specifications

| Model No. | Indoor unit | | ARYG12LLTB | ARYG14LLTB | ARYG18LLTB | |
|--|------------------|-------------------|---------------|---------------|---------------|--------------|
| | Outdoor unit | | AOYG12LALL | AOYG14LALL | AOYG18LALL | |
| Power Source | V/∅/Hz | | 230/1/50 | 230/1/50 | 230/1/50 | |
| Capacity | Cooling | kW | 3.5 (0.9-4.4) | 4.3 (0.9-5.4) | 5.2 (0.9-5.9) | |
| | Heating | | 4.1 (0.9-5.7) | 5.0 (0.9-6.5) | 6.0 (0.9-7.5) | |
| Input Power | Cooling/Heating | kW | 1.05/1.11 | 1.33/1.34 | 1.62/1.66 | |
| EER | Cooling | W/W | 3.33 | 3.21 | 3.21 | |
| COP | Heating | | 3.69 | 3.71 | 3.61 | |
| Pdesign | Cooling/Heating | kW | 3.5/4.2 | 4.3/4.5 | 5.2/5.2 | |
| SEER | Cooling | W/W | 5.90 | 5.80 | 6.20 | |
| SCOP | Heating | | 4.00 | 3.90 | 4.10 | |
| Energy Efficiency Class | Cooling | A+ | | | A++ | |
| | Heating | A+ | | | A+ | |
| Running Current | Cooling/Heating | A | 4.8/5.1 | 6.1/6.1 | 7.2/7.4 | |
| Annual Energy Consumption | Cooling | kWh/a | 207 | 259 | 293 | |
| | Heating | | 1467 | 1614 | 1774 | |
| Moisture Removal | | | l/h | 1.3 | 1.5 | 2.0 |
| Sound Pressure (Cooling) | Indoor | H/M/L/Q | 29/28/26/25 | | | |
| | Outdoor | | High | dB(A) | 47 | 49 |
| Sound Power (Cooling) | Indoor | High | 58 | | | |
| | Outdoor | | High | dB(A) | 61 | 60 |
| Airflow Rate (High) | Indoor / Outdoor | m ³ /h | 650/1780 | 800/1910 | 940/2000 | |
| Static pressure range (Standard) | | | Pa | 0 to 90 (25) | 0 to 90 (25) | 0 to 90 (25) |
| Net Dimension H x W x D | Indoor | mm | 198x700x620 | 198x700x620 | 198x900x620 | |
| | | kg(lbs) | 19 (42) | 19 (42) | 23 (51) | |
| | Outdoor | mm | 578x790x300 | 578x790x300 | 578x790x300 | |
| | | kg(lbs) | 40 (88) | 40 (88) | 40 (88) | |
| Piping Connections (Small / Large) | | | mm | 6.35/9.52 | 6.35/12.70 | 6.35/12.70 |
| Drain Hose Diameter (I.D./O.D.) | | | mm | 25/32 | 25/32 | 25/32 |
| Max Pipe Length (Pre-Charge) | | | m | 25 (15) | 25 (15) | 25 (15) |
| Max Height Difference | | | | 15 | 15 | 15 |
| Operation Range | Cooling | °CDB | -10 to 46 | -10 to 46 | -10 to 46 | |
| | Heating | | -15 to 24 | -15 to 24 | -15 to 24 | |
| Refrigerant (Global Warming Potential) | | | R410A (1,975) | R410A (1,975) | R410A (1,975) | |

Dimensions Models : ARYG12LLTB / ARYG14LLTB / ARYG18LLTB

(Unit : mm)



| | ARYG12 / 14LLTB | ARYG18LLTB |
|---|-----------------|------------|
| A | 700 | 900 |
| B | 650 | 850 |
| C | 734 | 934 |
| D | 650 | 850 |
| E | P100x6=600 | P100x8=800 |
| F | 18x∅5 | 22x∅5 |
| G | 574 | 774 |